

ASSEMBLE ONLY WITH ADULT SUPERVISION

**PLEASE READ ALL OF THE DIRECTIONS PRIOR TO BEGINNING ASSEMBLY.
DO NOT APPLY EXCESSIVE FORCE TO THE POLES DURING ASSEMBLY.**

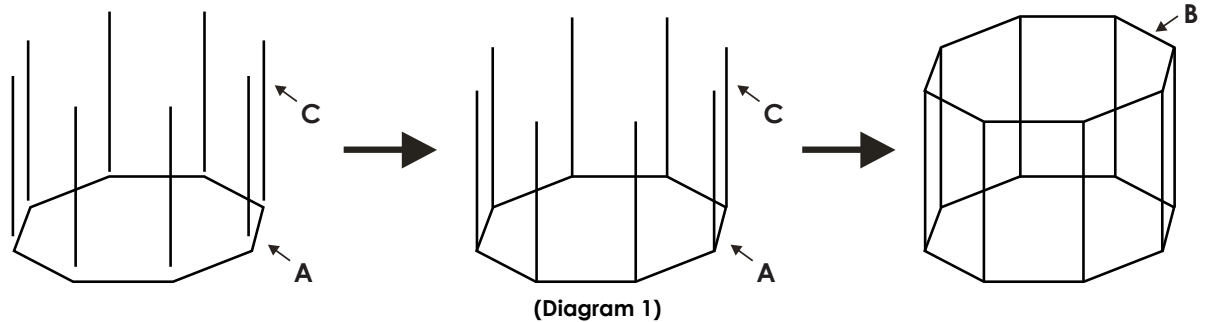
Enjoy your Play Structure and be sure to contact us for any further information or help.

Step 1. Connect and lay out all of the individual poles to ensure that you have all of the following:

- A** = 8 section BLUE poles with cord connecting all pieces (qty 1)
- B** = 8 section BLACK poles with 4 way connectors and cord (qty 1)
- C** = 2 section RED poles with cord connecting all pieces (qty 8)
- D** = 3 section BLACK poles with cord connecting all pieces (qty 4)

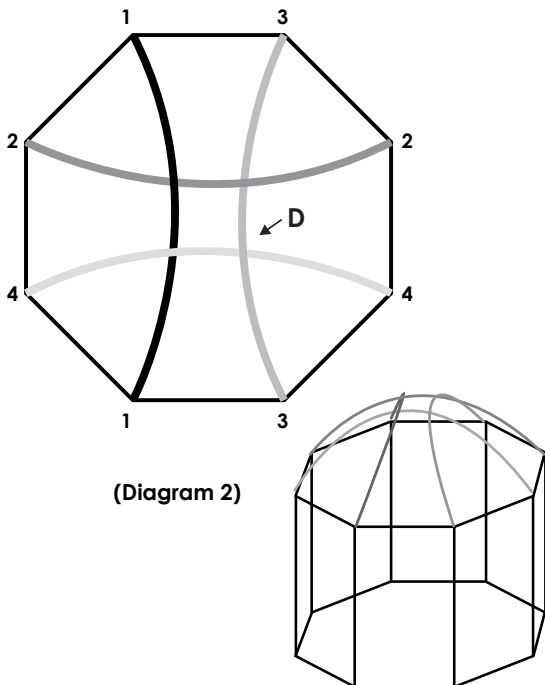
Step 2. Assembling the Frame

First, take the blue octagonal G3 frame piece (**A**) and lay it down with the connectors facing upwards. Insert the 8 red G3 poles (**C**) into the connectors of the octagon (**A**) (**Diagram 1**).



Step 3. Assembling the Roof Frame

Now take one of the 3 section black G3 poles (**D**) and insert it into one of the 4 way connectors. Connect the other end of the pole to match the pattern shown in **Diagram 2**. (1 connects to 1, 2 connects to 2, 3 connects to 3, 4 connects to 4.)



Step 4. Finishing

Slip the material body over the the assembled frame. Make sure that the doorways are between two of the vertical frame poles.

Also make sure that the RED sections of the roof are placed over the roof poles where the poles cross (**Diagram 3**).

Start at the Red Brick Doorway. Wrap the Blue G3 frame with the split velcro area.

Make your way around to the flap doors and wrap the blue frame with the split velcro again. Pull the lip of the material under the edge of the frame.

When you reach the white mesh door, connect the two ends of the material with the velcro tab.

Use the ties in each of the RED sections of the roof to secure the roof poles to each other and the roof, and along the two octagonal frame poles to secure the body to the frame.

Attach the round floor piece to the bottom at the velcro spots.

